

# Silent Swim

**Quiet running single-stage centrifugal pump, self-priming, complete with prefilter.**

### Applications:

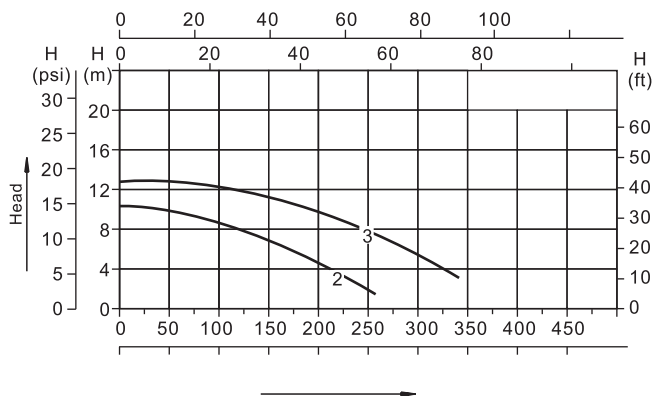
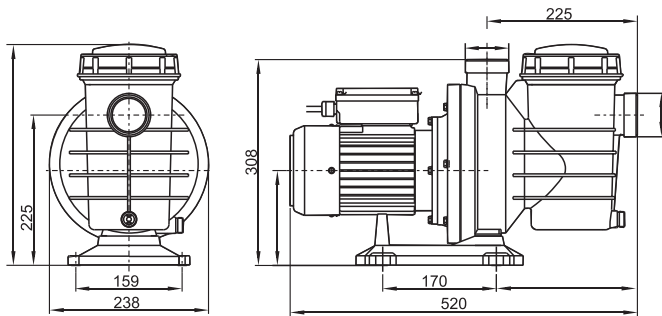
Recycling and filtering of water from small and medium swimming pools.

### Materials:

High-strength engineering mechanical plastics with high-quality wear-resistant mechanical seal (SUS316), available for both fresh water and sea water.

O Ring in NBR.

Motor casing in aluminium.



### Motor:

Asynchronous, two poles.  
 Electric pump over-current components using IP 55 protection.  
 Class F insulation.  
 Continuous operation.  
 Single phase version with built-in thermal protection.

High Suction self-priming, maximum 2.5m  
 Motor with 71 frame  
 Pump uses a low noise standard motor. Single-phase with thermal protector KLIXON from TI, USA.  
 Motors have high temperature bearings, long operating life with reliability and durability.  
 Complete separation of water and the axis, safe and reliable.

### Working Conditions

1. Medium temperature: 5-50 centigrade degree.
2. Environmental temperature: below 60 centigrade degree.
3. Max. working pressure: 0.3MP

Model	Qmax (l/min)	Hmax (m)	Curves	V/Hz	Power(P1)		(Amps)	Fitting Size (inch)	Packing size (mm)	(Qty/20')
					KW	HP				
CX-020601	255	10	2	220-240/50	0.55	0.75	2.7	1.5"	560 x 275 x 390	483
CX-020602	340	12.5	3	220-240/50	0.75	1.0	3.8	1.5"	560 x 275 x 390	483